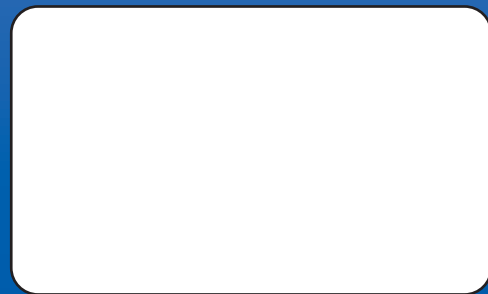


TECHNICAL DATA

| Model | SPM | Capacity GPH (LPH) | Max Pressure PSI(Bar) | Motor | Connections | |
|--------------|-----|--------------------------|-----------------------------|--------|-------------|---------|
| | | | | | Threaded | Flanged |
| 60 Hz | | | | | | |
| URM 2.6 | 43 | .68(2.6) | 150 (10) | 1/3 Hp | 1/4" | 1/2" |
| URM 3.9 | 60 | 1.0(3.8) | 150 (10) | 1/3 Hp | 1/4" | 1/2" |
| URM 5.5 | 84 | 1.45(5.5) | 150 (10) | 1/3 Hp | 1/4" | 1/2" |
| URM 8.4 | 118 | 2.2(8.4) | 150 (10) | 1/3 Hp | 1/4" | 1/2" |
| URM 10.2 | 30 | 2.7(10.2) | 150 (10) | 1/3 Hp | 1/4" | 1/2" |
| URM 12 | 43 | 3.2(12) | 150 (10) | 1/3 Hp | 1/4" | 1/2" |
| URM 9 | 60 | 2(7.5) | 150 (10) | 1/3 Hp | 1/4" | 1/2" |
| URM 14 | 84 | 3.2(12) | 150 (10) | 1/3 Hp | 1/4" | 1/2" |
| URM 28 | 118 | 6.5(24.5) | 150 (10) | 1/3 Hp | 1/4" | 1/2" |
| URM 36 | 43 | 8.5(32) | 120 (8) | 1/3 Hp | 1/4" | 1/2" |
| URM 45 | 60 | 10.7(40.5) | 120 (8) | 1/3 Hp | 1/4" | 1/2" |
| URM 42 | 84 | 10(37.8) | 120 (8) | 1/3 Hp | 1/4" | 1/2" |
| URM 58 | 118 | 13.8(52.2) | 120 (8) | 1/3 Hp | 1/2" | 1/2" |
| URM 90 | 43 | 21(79.4) | 120 (8) | 1/3 Hp | 1/2" | 1/2" |
| URM 121 | 60 | 28.5(107.7) | 120 (8) | 1/3 Hp | 1/2" | 1/2" |
| URM 145 | 84 | 34.5(130) | 120 (8) | 1/3 Hp | 1/2" | 1/2" |
| URM 120 | 118 | 30(113) | 90 (6) | 1/3 Hp | 3/4" | 3/4" |
| URM 158 | 43 | 40(151) | 75 (5) | 1/2 Hp | 3/4" | 3/4" |
| URM 236 | 60 | 59(223) | 75 (5) | 1/2 Hp | 3/4" | 3/4" |
| URM 312 | 84 | 78(295) | 75 (5) | 1/2 Hp | 1" | 1" |
| URM 384 | 118 | 97(367) | 75 (5) | 1/2 Hp | 1" | 1" |
| URM 180 | 43 | 42(159) | 60 (4) | 1/2 Hp | 1" | 1" |
| URM 228 | 60 | 58(220) | 60 (4) | 1/2 Hp | 1" | 1" |
| URM 360 | 84 | 90(340) | 60 (4) | 1/2 Hp | 1" | 1" |
| URM 519 | 118 | 135(510) | 60 (4) | 1/2 Hp | 1" | 1" |

OBL America
 Email - sales@oblamerica.com
 Toll free: 1-866-625-8877
 Tel: 770-943-4922
 Fax: 770-943-4923
 4838 Macland Road
 Hiram, GA 30141
www.oblamerica.com



Technical data are subject to modifications without prior notice.



www.oblamerica.com



BLACK LINE

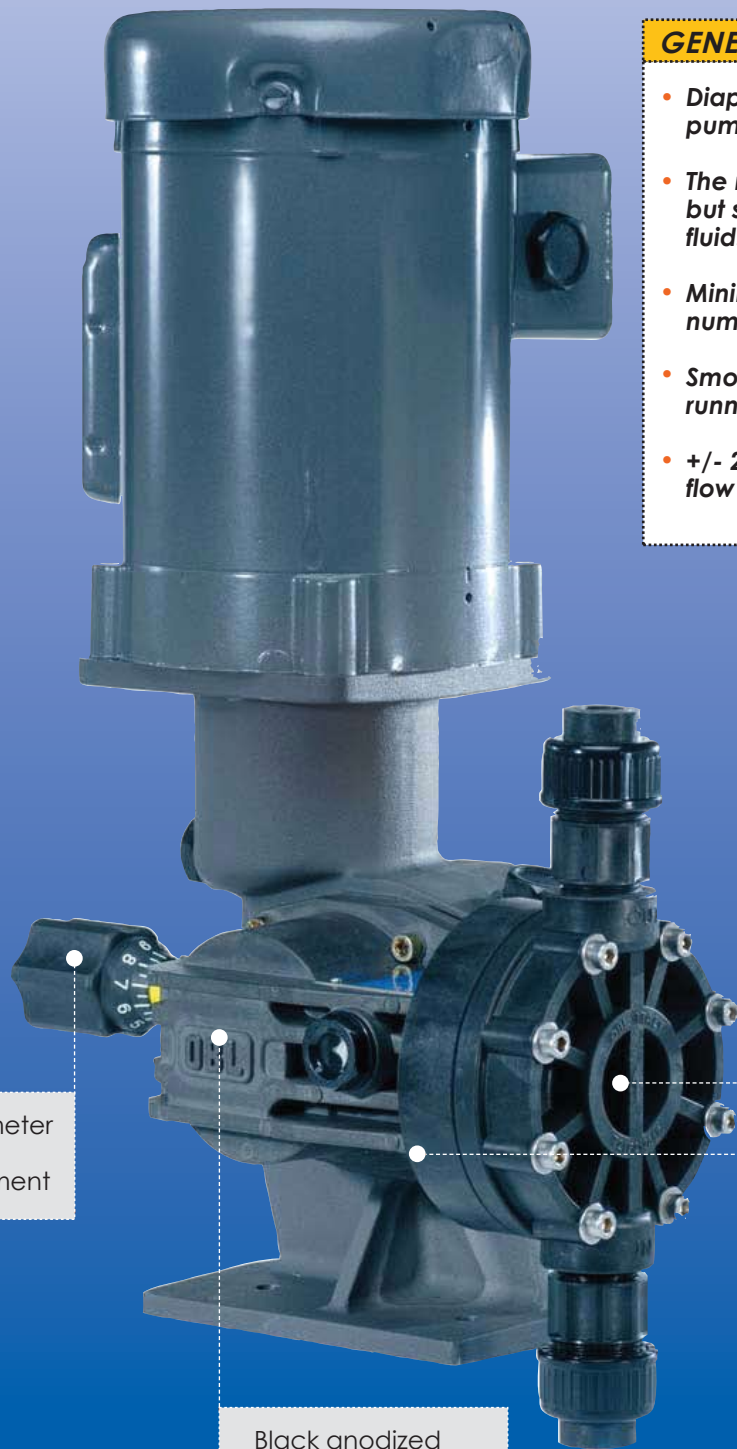
The OBL **URM** series are mechanical diaphragm spring return mechanism metering pumps. They combine the working characteristics of a plunger with the sealing advantages of a diaphragm pump. Thanks to the quality and simple design of the diaphragm, these pumps are easy-handling

MATERIALS OF CONSTRUCTION

| PARTS | 50% GFRP | PPH | PP32 | A | PVC | PVDF |
|---------------|---------------|---------------|-----------------|---------------|---------------|---------------|
| LIQUID END | PP | PP | PP | 316L SS | PVC | PVDF |
| VALVE GUIDE | PP | PP | PP | PP | PE | PVDF |
| VALVE SEAT | PVC | 316L SS | INCOLOY 825 | 316L SS | PVC | PVDF |
| VALVE BALL | PYREX | 316L SS | HASTELLOY C-276 | 316L SS | PYREX | PYREX |
| VALVE SEAL | VITON | VITON | VITON | VITON | FPM | FPM |
| VALVE HOUSING | PP | PP | PP | PP | PVC | PVC |
| DIAPHRAGM | TEFLON (PTFE) | TEFLON (PTFE) | TEFLON (PTFE) | TEFLON (PTFE) | TEFLON (PTFE) | TEFLON (PTFE) |

GENERAL FEATURES

- Diaphragm, economical, robust, compact metering pump.
- The mechanical diaphragm acts basically as a plunger, but separates between the housing and the pumped fluid.
- Minimum maintenance required, thanks to the reduced number of components.
- Smooth and linear adjustment, either stationary or running, via micrometer knob.
- +/- 2% accuracy within 10 to 100% of the nominal flow rate.



Micrometer Length Adjustment

Black anodized Aluminum housing

Available in PP, PVC and SS

PTFE coated cast iron diaphragm chamber



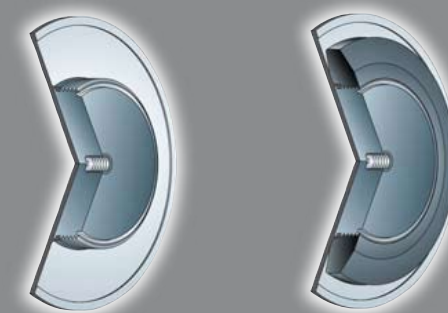
DIAPHRAGM STRUCTURE

The OBL's unique mechanical diaphragm design ensures controlled volumetric displacement, giving plunger-like performances



DIAPHRAGM SECTIONAL VIEW

Sectional view without PVC support ring Complete sectional view with PVC support ring



DETAIL OF THE BONDING BETWEEN DIAPHRAGM AND METALLIC SUPPORT

DETAILS OF THE BONDING BETWEEN DIAPHRAGM AND METALLIC SUPPORT

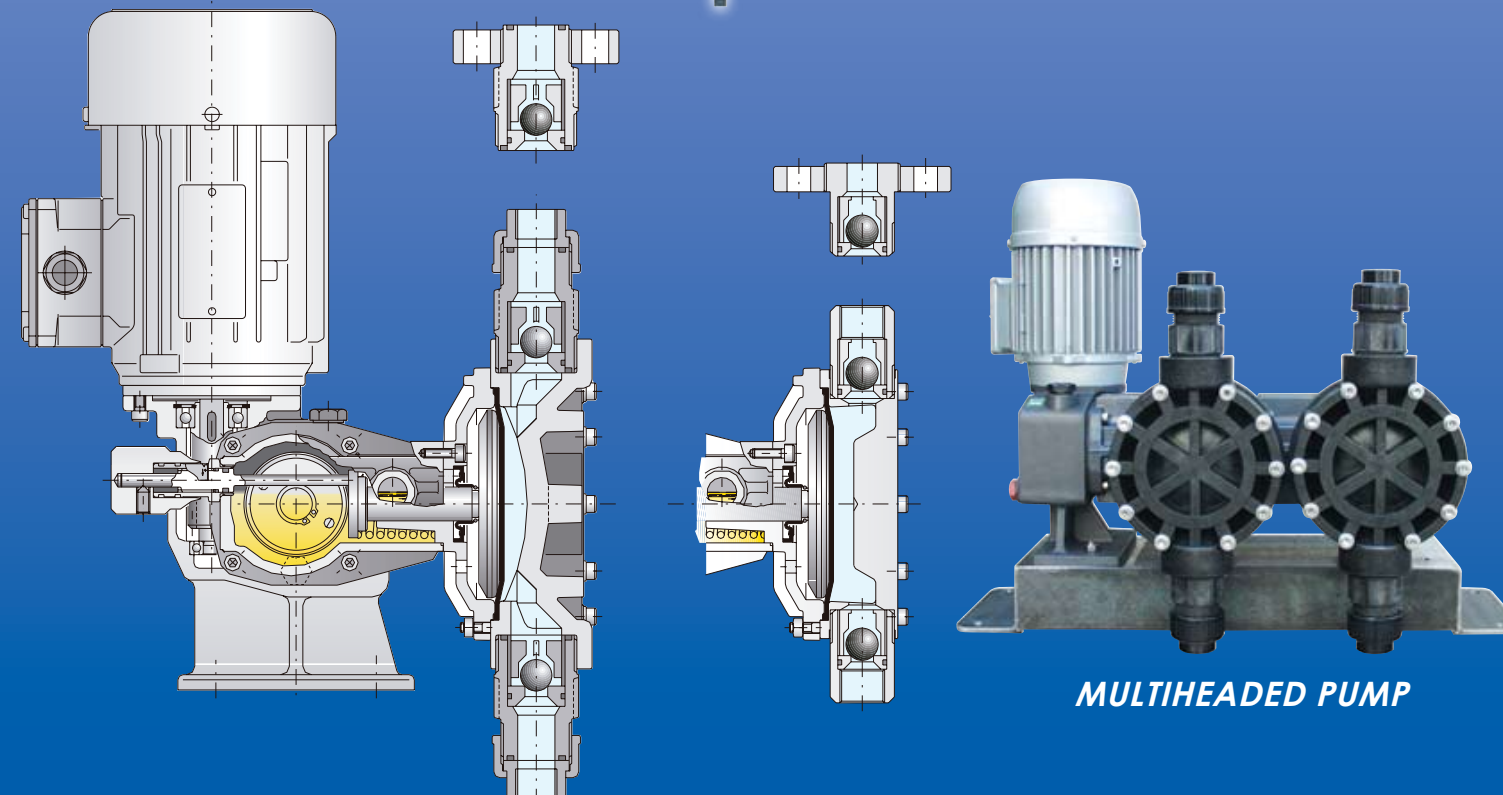
Cross-section of the diaphragm.

METALLIC SUPPORT

RUBBER

TEFLON
PFTE
RUBBER

TEFLON
PFTE
NYLON NET



MULTIHEADED PUMP